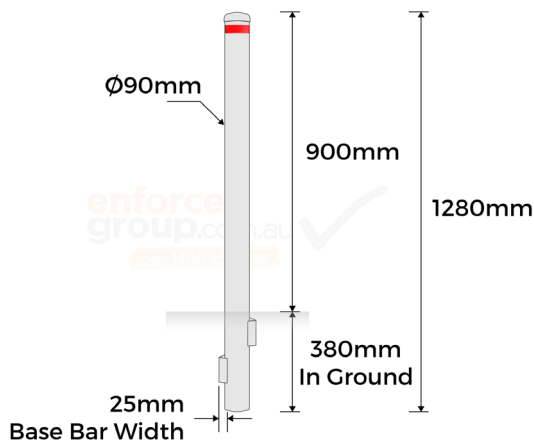


# PRODUCT SPECS



**Product Code:** B90 I-G Gal

**Diameter:** 90mm

**Height:** 900mm above ground plus 380mm in-ground (1280mm)

**Weight:** 8kg

**Wall Thickness:** 3mm

**Base Bars:** Two 25mm Hold down bars protrude from base

**Finish:** Silver Galvanized / Red Reflective Band



**2 Year**  
Manufacturing  
Warranty

Installation  
Service  
available



## BOLLARD 90MM IN-GROUND GALVANIZED

- Manufactured from heavy duty Steel Pipe
- Hot Dipped Galvanised Steel for rust prevention
- Light weight easy to install by one person
- Designed in Australia for Australian Conditions
- Strong Metal Bollard Dome Cap
- Installation Service is available

Enforcer Steel Bollards are designed in Australia for Australian Conditions, Environmentally friendly Manufactured from Steel Pipe, and 100% Recyclable.

Hot Dipped Galvanised Steel for rust prevention, finished silver galvanized with Class 1 Red Reflective Band.

Easy to install or relocate, designed to be strong and durable, with a welded strong metal Bollard Dome Cap, (not cheap plastic cap) in-ground bollards have fully welded hold down bars for installation into new concrete footings.

Suited to use in Concrete or asphalt to withstand from cars, trucks, and forklifts. for all Warehouses, Car Parks, Driveways, even Machinery.



Strong &  
Durable



Australian  
Standards  
Approved



Easy  
Installation

**enforcer**  
**group.com.au**

Call us 1300 85 40 10

Address: 57-67 Popes Rd Keysborough Vic 3173 P.O. Box 3076 Ripponlea VIC 3185  
Email: Sales@enforcergroup.com.au Phone: 1300 85 40 10

www.enforcergroup.com.au