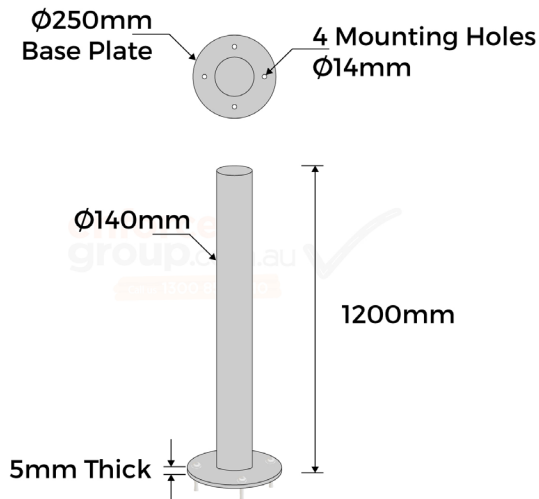


PRODUCT SPECS



| | |
|-----------------|---|
| Product Code: | B140 SM SS304-1200 |
| Diameter: | 140mm |
| Height: | 1200mm |
| Weight: | 15kg |
| Wall Thickness: | 3mm |
| Base Plate: | 250mm diameter x 5mm thick, 4 mounting holes 14mm diameter |

| | |
|---------|--------------------------------|
| Finish: | Silver Brushed Stainless Steel |
|---------|--------------------------------|



BOLLARD 140MM X 1200MM SURFACE MOUNTED STAINLESS STEEL 304

- Manufactured from heavy duty Steel Pipe
- Silver Brushed grade 304 Stainless Steel
- Withstands from heavy cars, trucks, and forklifts
- Designed in Australia for Australian Conditions
- Strong Metal Bollard machined-flat top cap.
- Installation Service is available

Enforcer Steel Bollards are designed in Australia for Australian Conditions, Environmentally friendly Manufactured from Steel Pipe, and 100% Recyclable.

Silver grade 304 Stainless Steel, with architectural brushed Stainless-Steel finish, fully welded round base plate.

Easy to install or relocate, designed to be strong and durable, with a welded strong metal Bollard machined-flat top cap.

Suited to use in Concrete to withstand from cars, trucks, and forklifts. for all Shopping centres, Warehouses, Car Parks, Driveways, even Machinery, together with architectural standards.



Strong & Durable



Australian Standards Approved



Easy Installation

enforcer
group.com.au

Call us 1300 85 40 10