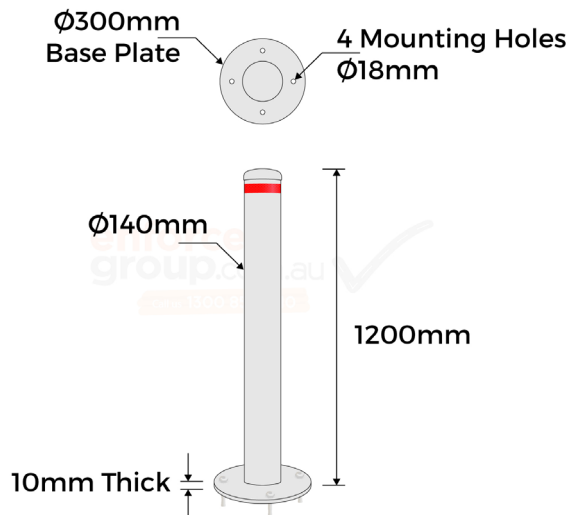


PRODUCT SPECS



Product Code: B140 SM Gal

Diameter: 140mm

Height: 1200mm

Weight: 15kg

Wall Thickness: 3mm

Base Plate: 300mm diameter x 10mm thick, 4 mounting holes 18mm diameter

Finish: Silver galvanized / Red Reflective Band



2 Year
Manufacturing
Warranty

Installation
Service
available

www.enforcergroup.com.au

BOLLARD 140MM SURFACE MOUNTED GALVANIZED

- Manufactured from heavy duty Steel Pipe
- Hot Dipped Galvanised Steel for rust prevention
- Withstands from heavy cars, trucks, and forklifts
- Designed in Australia for Australian Conditions
- Strong Metal Bollard Dome Cap
- Installation Service is available

Enforcer Steel Bollards are designed in Australia for Australian Conditions, Environmentally friendly Manufactured from Steel Pipe, and 100% Recyclable.

Hot Dipped Galvanised Steel for rust prevention, finished powder coated in safety Yellow with Class 1 Red Reflective Band. fully welded round base plate.

Easy to install or relocate, designed to be strong and durable, with a welded strong metal Bollard Dome Cap (not cheap plastic cap)

Suited to use in Concrete to withstand from cars, trucks, and forklifts. for all Warehouses, Car Parks, Driveways, even Machinery.



Strong &
Durable



Australian
Standards
Approved



Easy
Installation

enforcer
group.com.au

Call us 1300 85 40 10

Address: 57-67 Popes Rd Keysborough Vic 3173 P.O. Box 3076 Ripponlea VIC 3185
Email: Sales@enforcergroup.com.au Phone: 1300 85 40 10