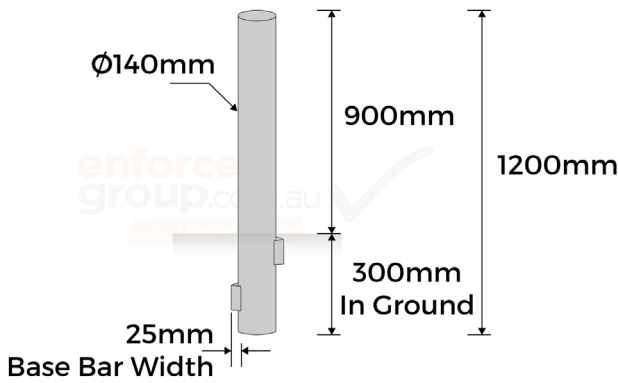


PRODUCT SPECS



Product Code:	B140 I-G SS304
Diameter:	140mm
Height:	900mm above ground plus 300mm in-ground (1200mm)
Weight:	13kg
Wall Thickness:	3mm
Base Bars:	Two 25mm Hold down bars protrude from base
Finish:	Silver Brushed Stainless Steel



www.enforcergroup.com.au



BOLLARD 140MM IN-GROUND STAINLESS STEEL 304

- Manufactured from heavy duty Steel Pipe
- Silver Brushed grade 304 Stainless Steel
- Withstands from heavy cars, trucks, and forklifts
- Designed in Australia for Australian Conditions
- Strong Metal Bollard machined-flat top
- Installation Service is available

Enforcer Steel Bollards are designed in Australia for Australian Conditions, Environmentally friendly Manufactured from Steel Pipe, and 100% Recyclable.

Silver grade 304 Stainless Steel, with architectural brushed Stainless-Steel finish. Easy to install, designed to be strong and durable, in-ground bollards have fully welded hold down bars for installation into new concrete footings.

Suited to use in Concrete or asphalt to withstand from cars, trucks, and forklifts. for all Shopping centres, Warehouses, Car Parks, Driveways, even Machinery, together with architectural standards.



Strong & Durable



Australian Standards Approved



Easy Installation

enforcer
group.com.au

Call us 1300 85 40 10

Address: 57-67 Popes Rd Keysborough Vic 3173 P.O. Box 3076 Ripponlea VIC 3185
Email: Sales@enforcergroup.com.au Phone: 1300 85 40 10