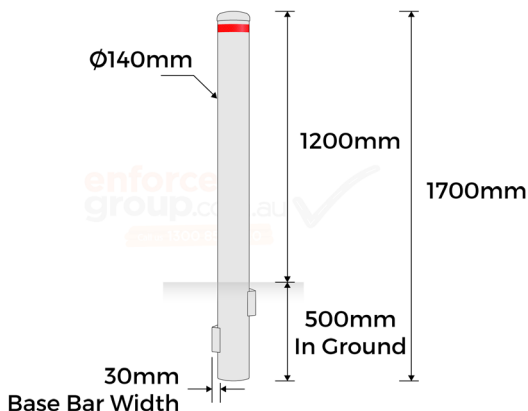


PRODUCT SPECS



Product Code: B140 IG Gal

Diameter: 140mm

Height: 1200mm above ground plus 500mm in-ground (1700mm)

Weight: 18kg

Wall Thickness: 5mm

Base Bars: Two 30mm Hold down bars protrude from base

Finish: Silver Galvanized / Red Reflective Band



BOLLARD 140MM IN-GROUND GALVANIZED

- Manufactured from heavy duty Steel Pipe
- Hot Dipped Galvanised Steel for rust prevention
- Withstands from heavy cars, trucks, and forklifts
- Designed in Australia for Australian Conditions
- Strong Metal Bollard Dome Cap
- Installation Service is available

Enforcer Steel Bollards are designed in Australia for Australian Conditions, Environmentally friendly Manufactured from Steel Pipe, and 100% Recyclable.

Hot Dipped Galvanised Steel for rust prevention, finished silver galvanised with Class 1 Red Reflective Band.

Easy to install, designed to be strong and durable, with a welded strong metal Bollard Dome Cap, (not cheap plastic cap) in-ground bollards have fully welded hold down bars for installation into new concrete footings.

Suited to use in Concrete or asphalt to withstand from cars, trucks, and forklifts. for all Warehouses, Car Parks, Driveways, even Machinery.



Strong & Durable



Australian Standards Approved



Easy Installation



Call us 1300 85 40 10