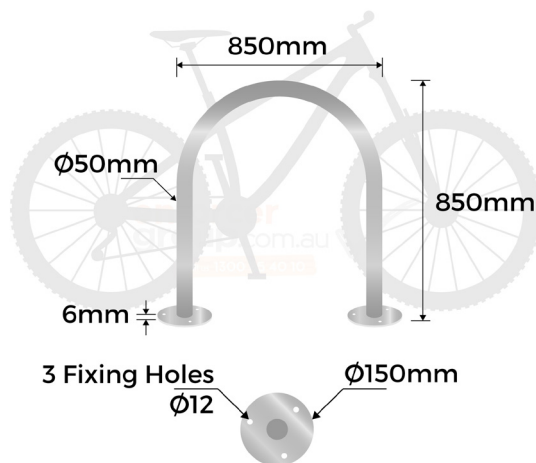


PRODUCT SPECS



Product Code:	BR-SM-SS304
Diameter:	50mm
Height:	850mm
Width:	850mm
Wall Thickness:	3mm
Weight:	8.5kg
Base plate:	150mm diameter x 6mm thick, 3 mounting holes each side, 12mm holes
Finished:	Silver Brushed Stainless Steel



2 Year
Manufacturing
Warranty

Installation
Service
available



BIKE RACK SURFACE MOUNT HOOP

- Manufactured from heavy duty steel pipe
- Silver brushed grade 304 stainless steel
- Suitable for public and private areas
- Designed in Australia for Australian conditions
- Weatherproof, safe and secure.
- Installation service is available

Manufactured from heavy duty steel pipe, silver brushed grade 304 Stainless Steel. Designed in Australia for Australian conditions, for indoor or outdoor use.

Enforcer Groups bike racks are built to last. They are weatherproof, safe and secure. The absence of designated bike parking can create issues that may discourage cyclists from visiting in the future. Offering a safe, secure, accessible and easy-to-use bike parking solution to cyclists will ensure a bike friendly environment. More parking space for bikes - more customers coming in.

Suited to use in indoor or outdoor car parks, like shopping centres or libraries, it can be used in public and private areas for bike parking.



Strong &
Durable



Australian
Standards
Approved



Easy
Installation

enforcer
group.com.au

Call us 1300 85 40 10