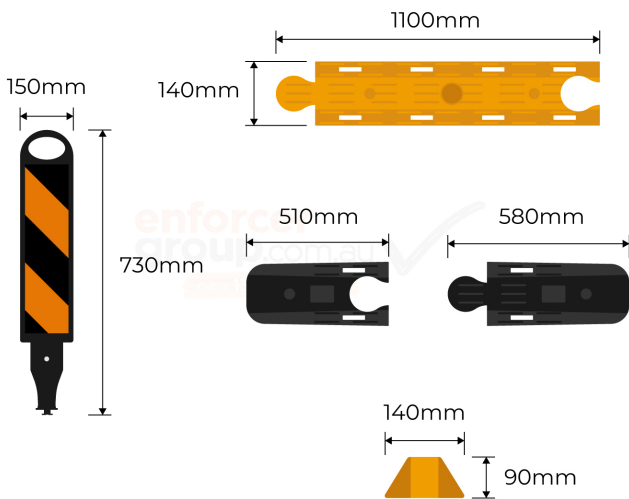


PRODUCT SPECS



Product Code: TLKS

Middle Section



Product Code:	TLKS-M-Yellow/Black
Length:	1100mm
Height:	90mm
Width:	140mm
Weight:	13kg
Finish:	Yellow/Black Section With White Reflective Panels



TRAFFIC LANE KERB SEPARATORS

- Modular design allows for easy installation and configuration
- Painted with reflective striping for high visibility in poor conditions
- Separates lanes of traffic and directs the flow of vehicles
- Improves traffic safety and efficiency
- Essential for roads and highways

The Traffic Lane Kerb Separators are a durable and effective solution for separating lanes of traffic and directing the flow of vehicles.

They are designed in a modular fashion, allowing them to be easily installed and configured to fit the layout of any road.

The traffic lane kerb separators are painted with reflective striping, making them highly visible at night and in poor weather conditions.

They are an essential addition to any road or highway, helping to improve traffic safety and efficiency.



Strong & Durable



Australian Standards Approved



Easy Installation



Installation Service available



Call us 1300 85 40 10

PRODUCT SPECS

End Caps



Product Code:	TLKS-EP-Yellow/Black
Length:	Female End - 510mm Male End - 580mm
Height:	90mm
Width:	140mm
Weight:	6kg
Finish:	Yellow/Black Ends With White Reflective Panels

Panel Blades



Length:	730mm
Width:	150mm
Finish:	Orange or Black with Reflective Panels

