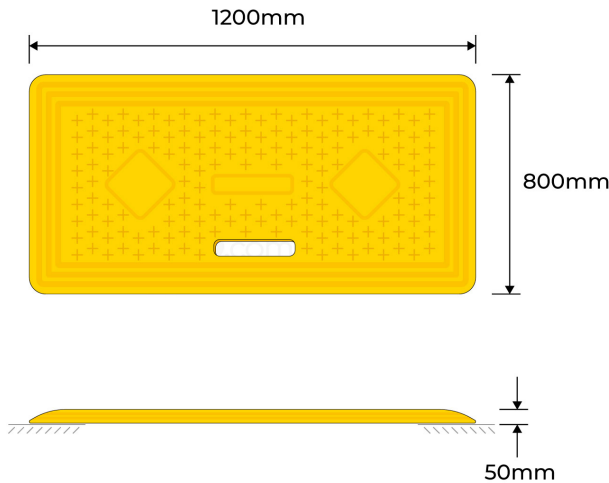


# PRODUCT SPECS



|               |           |
|---------------|-----------|
| Product Code: | TC-120X80 |
| Length:       | 1200mm    |
| Height:       | 800mm     |
| Thickness:    | 50mm      |
| Weight:       | 14kg      |
| Finish:       | Yellow    |



## TRENCH COVER - 1200X800MM

- Highly visible Yellow
- Anti-Slip pattern on top for safety
- Steel strip backing to bear loads
- Can be used indoors and outdoors

Enforcer Group's Yellow Trench Cover with Steel Strip Backing, is a reliable solution for ensuring safety in areas with open trenches.

This cover measures 1200x800mm, providing ample coverage for trench openings. Safety is our top priority, which is why this trench cover features an anti-slip pattern on the top surface. This ensures that pedestrians and workers can confidently traverse the area without the risk of slipping or accidents.

For added stability and security, our trench cover is designed with a grip on the bottom. This feature ensures that the cover stays firmly in place, even in high-traffic zones or adverse weather conditions. Whether you're working on construction sites, road repairs, or any project involving trenches, our yellow trench cover with steel strip backing is the ideal choice to maintain safety and prevent accidents. Trust in its durability and reliability to keep your work environment secure.



Strong & Durable



Australian Standards Approved



Easy Installation

**enforcer**  
group.com.au

Call us 1300 85 40 10