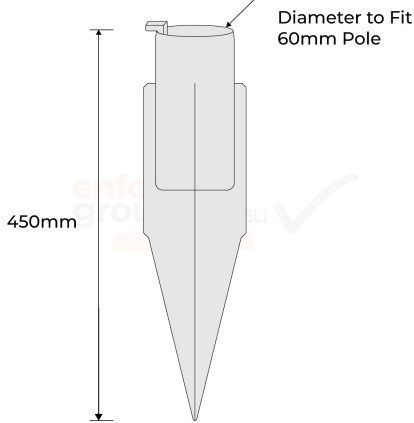
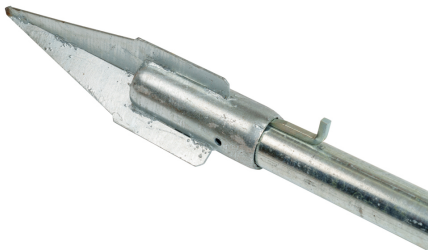


# PRODUCT SPECS



|                         |                           |
|-------------------------|---------------------------|
| <b>Product Code:</b>    | SP-SPS-IG450              |
| <b>Diameter to fit:</b> | 60mm                      |
| <b>Height:</b>          | 450mm                     |
| <b>Weight:</b>          | 2.2kg                     |
| <b>Finish:</b>          | Silver / Galvanised Steel |



## SIGN POST SPIKE IN-GROUND 450MM INCLUDING WEDGE KEY

- Manufactured from Galvanised Steel
- Fits 60mm diameter pole
- Easy to install

The Sign Post Spike In-Ground 450mm Including Wedge Key is a premium product made to simplify and hasten the installation of sign posts.

The spike fits sign posts with diameter 60mm post, and has a height of 450mm, making it ideal for a variety of signage applications. Weighing just right at 2.2kg, it is a strong and durable option that makes your signs securely placed on the ground. The silver/galvanised steel coating provides durability and resistance to inclement weather, ensuring life and dependability.

A wedge key is included with the sign post spike to make installation faster and secure. A one-year guarantee is also included.



Strong & Durable



Australian Standards Approved



Easy Installation



Call us 1300 85 40 10