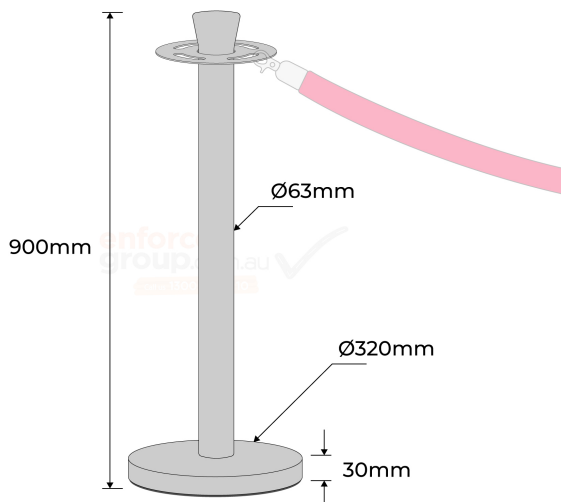


PRODUCT SPECS



Product Code:	RP-SS
Diameter:	63mm
Height:	900mm
Weight:	6kg
Wall Thickness:	3mm
Base:	320mm diameter x 30mm high No fixings required.
Finish:	Polished Stainless Steel



*Rope needs to buy separately.



ROPE BARRIER BOLLARD POST - STAINLESS STEEL

- Silver polished stainless steel
- 4-way connectivity
- Metal base plate with rubber base
- Suited to use for crowd management in shopping centres, hotel, trade shows
- Easy to install, no fixings or tools required

Enforcer Rope Barrier Bollards is designed for Australian Conditions, Environmentally friendly manufactured from Steel Pipe.

Rope Barrier Bollard Post and Base - Silver polished stainless steel (Ropes are sold separately).

Easy to install or relocate, designed to be strong and durable, no fixings or tools are required, the product comes with a base, post and cover for the base.

Suited to use for crowd management, guidance, and direction, in shopping centers, hotels, trade shows, and all retail environments.



Strong &
Durable



Australian
Standards
Approved



Easy
Installation

enforcer
group.com.au

Call us 1300 85 40 10