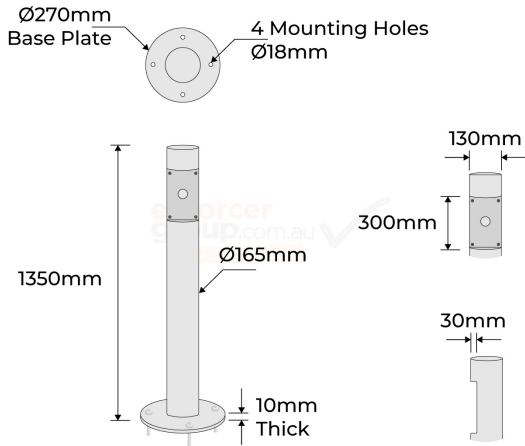


PRODUCT SPECS



INTERCOM BOLLARD POST - 165MM STAINLESS STEEL 304

Product Code:	CRB-165-SS304
Diameter:	168mm
Height:	1350mm
Wall Thickness:	3mm
Weight:	20.9kg
Card Plate:	300mm x 130mm x 30mm
Base Plate:	270mm diameter x 10mm thick
Finish:	Stainless steel 304

- Made of high-quality steel for durability and longevity,
- Card reader allows authorized personnel to easily access the restricted area,
- Easy to install and maintain,
- Provides a secure barrier to vehicles and pedestrians,
- Essential for facilities that require controlled access.

The Card Reader Bollard Post - 165mm Stainless Steel is a strong and durable solution for controlling access to restricted areas.

This bollard post is made of high-quality stainless steel, providing superior protection against corrosion and rust.

It is 165mm in diameter, providing a sturdy barrier to vehicles and pedestrians.

The card reader bollard post can be equipped with a card reader, allowing authorized personnel to easily access the restricted area by scanning their card.





Strong & Durable



Australian Standards Approved



Easy Installation

2 Year
Manufacturing
Warranty



Installation Service available

enforcer
group.com.au 

Call us 1300 85 40 10