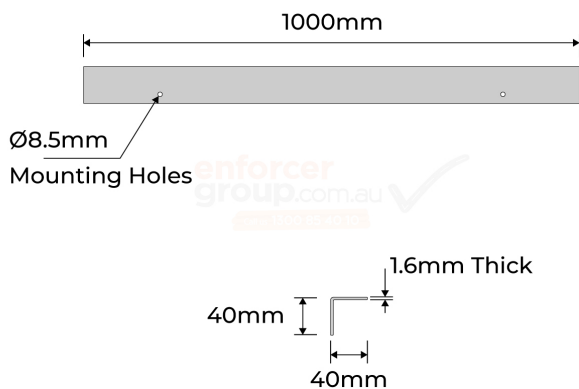


PRODUCT SPECS



Product Code: CG-40-SS304

Length: 1000mm

Width: 40mm x 40mm

Weight: 2kg

Thickness: 1.6mm

Mounting Holes: 8.5mm Diameter

Finish: Stainless steel



CORNER GUARDS - 40X40MM 1 METRE LONG - STAINLESS STEEL 304

- Made of high-quality stainless steel for durability and longevity
- Fits over 40x40mm corners for added protection against impact and wear
- 1 metre long, suitable for a wide range of applications
- Easy to install and maintain
- Protects corners and edges in high-traffic areas
- Essential for any facility looking to keep its corners and edges safe and damage-free

Stainless Steel 304 Corner Guards - 40x40mm 1 Metre Long - is a durable and long-lasting solution for protecting corners and edges in high-traffic areas.

Made of high-quality stainless steel, It is designed to fit over 40x40mm corners, providing an extra layer of protection against impact and wear.

This Corner Guard is 1 metre long, making it suitable for a wide range of applications, including malls, airports, schools, and more.



Strong &
Durable



Australian
Standards
Approved



Easy
Installation

enforcer
group.com.au

Call us 1300 85 40 10