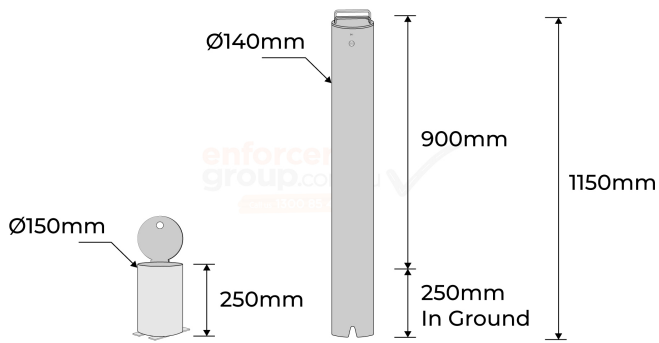


PRODUCT SPECS



Product Code: BP140-IG-REM-KL-SS

Diameter: 140mm

Height: 900mm above ground plus 250mm in-ground (1150mm)

Weight: 19kg

Wall Thickness: 3mm

Sleeve Base: Galvanised with stainless steel cover, 250mm in-ground, 150mm diameter

Finish: Silver Brushed Stainless Steel



1 Year
Manufacturing
Warranty

Installation
Service
available



PREMIUM BOLLARD 140MM IN-GROUND REMOVABLE KEYLOCK -SS304

- Retractable stainless steel handle
- Silver Brushed grade 304 Stainless Steel
- Luxury high-class architectural look
- Keylock - 2 keys included
- Strong metal bollard machined-flat top, with a retractable handle
- Stainless steel base cover
- Installation Service is available

Enforcer premium bollards are a long-awaited product for the construction architectural market. Our steel Bollards are designed in Australia for Australian conditions, environmentally friendly manufactured from steel pipe, and 100% recyclable.

Silver grade 304 stainless steel, with architectural brushed stainless-steel finish. Removable keylock is designed to be strong and durable, easy to use, and very convenient, they come with a sleeve that you can simply lock in too with your keylock.

Suited to use in concrete or asphalt when you install with concrete pads to withstand cars, trucks, and forklifts. At shopping centres car parks, government, or corporate centres, and all other areas where bollards are needed.



Strong &
Durable



Australian
Standards
Approved



Easy
Installation

enforcer
group.com.au

Call us 1300 85 40 10