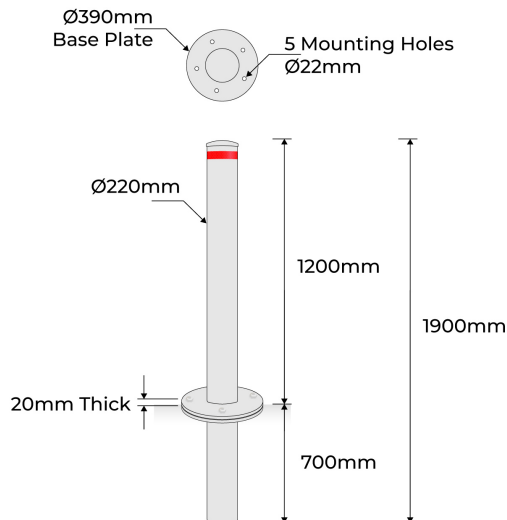


PRODUCT SPECS



Product Code: BB220-IG-G

Diameter: 220mm

Height: 1200mm above ground plus 700mm in-ground (1900mm)

Weight: 46kg

Wall Thickness: 4.8mm

Base Plate: 390mm diameter x 20mm thick, 5 mounting holes 22mm diameter

Finished: Silver Galvanised



2 Year
Manufacturing
Warranty

Installation
Service
available

BREAKAWAY BOLLARD - 220MM 2 PART HOT DIPPED GALVANISED

- Manufactured from heavy duty Steel Pipe
- Hot Dipped Galvanised Steel for rust prevention
- Withstands from heavy cars, trucks, and forklifts
- Designed in Australia for Australian Conditions
- Removable Strong Metal Bollard Dome Cap
- Installation Service is available

Enforcer Breakaway Bollards are designed in Australia for Australian Conditions, Environmentally friendly Manufactured from Steel Pipe, and 100% Recyclable.

Suited to use in Concrete or asphalt to withstand from cars, trucks, and forklifts. For all Warehouses, Car Parks, Driveways, even Machinery.

They are designed to break away if knocked into, preventing damage to concrete surfaces and breaking only the screws. They are durable, easy to install and maintain, making them a cost-effective option for warehouse and other properties protection.



Strong &
Durable



Australian
Standards
Approved



Easy
Installation

enforcer
group.com.au

Call us 1300 85 40 10

www.enforcergroup.com.au

Address: 57-67 Popes Rd Keysborough Vic 3173 P.O. Box 3076 Ripponlea VIC 3185
Email: Sales@enforcergroup.com.au Phone: 1300 85 40 10