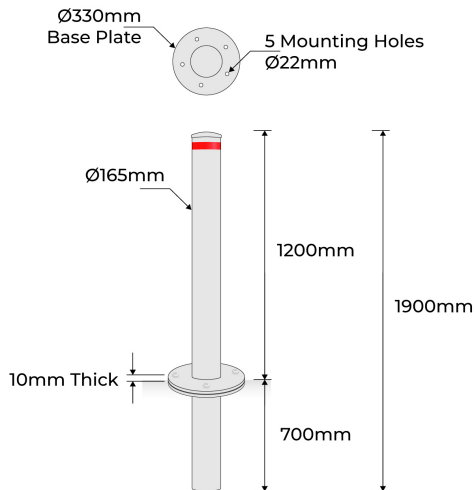


# PRODUCT SPECS



**Product Code:** BB165-IG-G

**Diameter:** 165mm

**Height:** 1200mm above ground plus 700mm in-ground (1900mm)

**Weight:** 32.2kg

**Wall Thickness:** 3mm

**Base Plate:** 330mm diameter x 10mm thick, 5 mounting holes 22mm diameter

**Finished:** Silver Galvanised



## BREAKAWAY BOLLARD - 165MM 2PART HOT DIPPED GALVANISED

- Manufactured from heavy duty Steel Pipe
- Hot Dipped Galvanised Steel for rust prevention
- Withstands from heavy cars, trucks, and forklifts
- Designed in Australia for Australian Conditions
- Removable Strong Metal Bollard Dome Cap
- Installation Service is available

Enforcer Breakaway Bollards are designed in Australia for Australian Conditions, Environmentally friendly Manufactured from Steel Pipe, and 100% Recyclable.

Suited to use in Concrete or asphalt to withstand from cars, trucks, and forklifts. For all Warehouses, Car Parks, Driveways, even Machinery.

They are designed to break away if knocked into, preventing damage to concrete surfaces and breaking only the screws. They are durable, easy to install and maintain, making them a cost-effective option for warehouse and other properties protection.



Strong & Durable



Australian Standards Approved



Easy Installation

**enforcer**  
group.com.au

Call us 1300 85 40 10