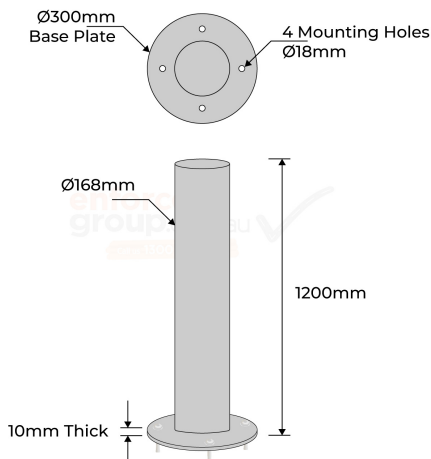


# PRODUCT SPECS



**Product Code:** B168-SM-SS304

**Diameter:** 168mm

**Height:** 1200mm

**Wall Thickness:** 3mm

**Weight:** 20kg

**Base Plate:** 300mm diameter  
x 10mm thick,  
4 mounting holes  
18mm diameter

**Finish:** Silver Brushed  
Stainless Steel 304



[www.enforcergroup.com.au](http://www.enforcergroup.com.au)



## BOLLARD 168MM SURFACE MOUNTED STAINLESS STEEL 304

- Manufactured from heavy duty Steel Pipe
- Silver Brushed grade 304 Stainless Steel
- Withstands from heavy cars, trucks, and forklifts
- Designed in Australia for Australian Conditions
- Strong Metal Bollard machined-flat top
- Installation Service is available

The Bollard 168mm Surface Mounted - Stainless Steel 304 is specifically designed in Australia for Australian Conditions, using environmentally-friendly steel pipe that is 100% recyclable.

Constructed with Grade 304 Stainless Steel and an architectural brushed stainless-steel finish, this bollard features a fully welded round base plate and a strong, machined-flat top cap.

A bollard that is easy to install or relocate and built to last, with the ability to withstand heavy impacts from cars, trucks, and forklifts, making them ideal for use in shopping centres, warehouses, car parks, driveways, and even with machinery while meeting architectural standards.



Strong &  
Durable



Australian  
Standards  
Approved



Easy  
Installation

**enforcer**  
**group.com.au** ✓

Call us 1300 85 40 10

Address: 57-67 Popes Rd Keysborough Vic 3173 P.O. Box 3076 Ripponlea VIC 3185  
Email: [Sales@enforcergroup.com.au](mailto:Sales@enforcergroup.com.au) Phone: 1300 85 40 10