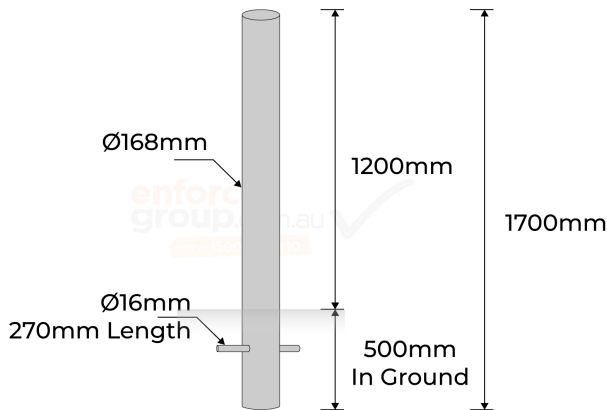


PRODUCT SPECS



Product Code: B168-IG-SS304

Diameter: 168mm

Height: 1200mm above ground plus 500mm in-ground (1700mm)

Weight: 21.7kg

Wall Thickness: 3mm

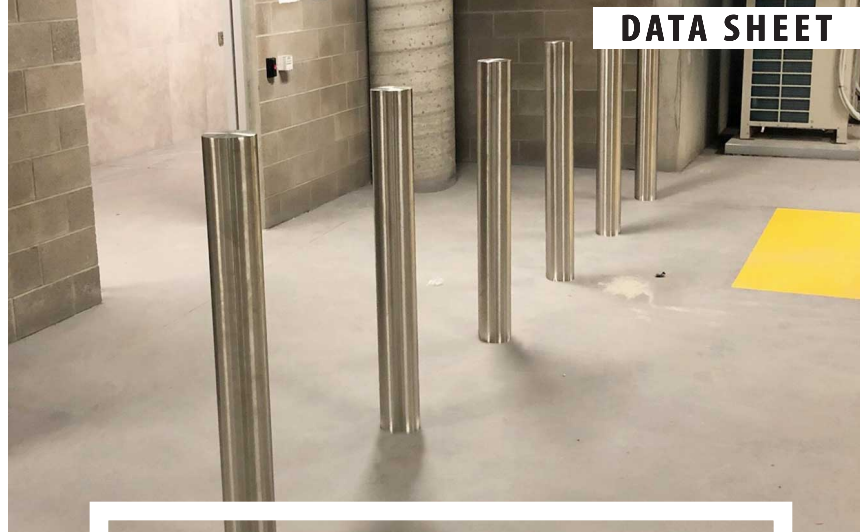
Base Rod: 16mm Diameter
270mm Length Base rod

Finish: Silver Brushed Stainless Steel



2 Year
Manufacturing
Warranty

Installation
Service
available



INGROUND BOLLARD 168MM - STAINLESS STEEL 304

- Manufactured from heavy duty Steel Pipe
- Silver Brushed grade 304 Stainless Steel
- Withstands from heavy cars, trucks, and forklifts
- Designed in Australia for Australian Conditions
- Strong Metal Bollard machined-flat top
- Installation Service is available

Enforcer Steel Bollards are designed in Australia for Australian Conditions, Environmentally friendly Manufactured from Steel Pipe, and 100% Recyclable.

Silver grade 304 Stainless Steel, with architectural brushed Stainless-Steel finish. Easy to install, designed to be strong and durable, in-ground bollards have fully welded hold down bars for installation into new concrete footings.

Suited to use in Concrete or asphalt to withstand from cars, trucks, and forklifts. for all Shopping centres, Warehouses, Car Parks, Driveways, even Machinery, together with architectural standards.



Strong &
Durable



Australian
Standards
Approved



Easy
Installation

enforcer
group.com.au

Call us 1300 85 40 10

www.enforcergroup.com.au

Address: 57-67 Popes Rd Keysborough Vic 3173 P.O. Box 3076 Ripponlea VIC 3185
Email: Sales@enforcergroup.com.au Phone: 1300 85 40 10