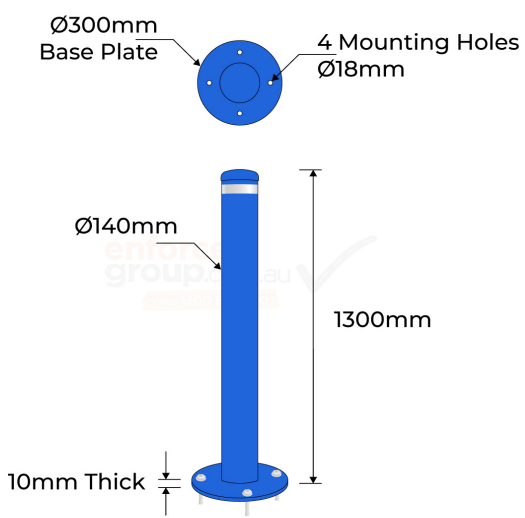


# PRODUCT SPECS



## BOLLARD DISABLED PARKING 140MM SURFACE MOUNTED - BLUE

<b>Product Code:</b>	B140-DP-SM-BLUE
<b>Diameter:</b>	140mm
<b>Height:</b>	1300mm
<b>Weight:</b>	18kg
<b>Wall Thickness:</b>	3mm
<b>Base Plate:</b>	300mm diameter, 10mm thick, 4 mounting holes 18mm diameter
<b>Finish:</b>	Powder-coated Disabled Blue - Red/White Reflective Band

- Manufactured from heavy duty Steel Pipe
- Hot Dipped Galvanised Steel for rust prevention
- Lightweight easy to install by one person
- Designed in Australia for Australian Conditions

Enforcer Group Parking Bollards are designed in Australia for Australian Conditions, Environmentally friendly Manufactured from Steel Pipe, and 100% Recyclable.

Hot Dipped Galvanised Steel for rust prevention, finish powder coated disabled blue with Class 1 Red/white Reflective Band. Fully welded round base plate.

Easy to install or relocate, designed to be strong and durable, with a welded strong metal Bollard Dome Cap (not cheap plastic cap)

Suited to use in Concrete for Disabled parking to withstand from cars, trucks, and forklifts. for all Warehouses, Car Parks, Driveways, even Machinery.

