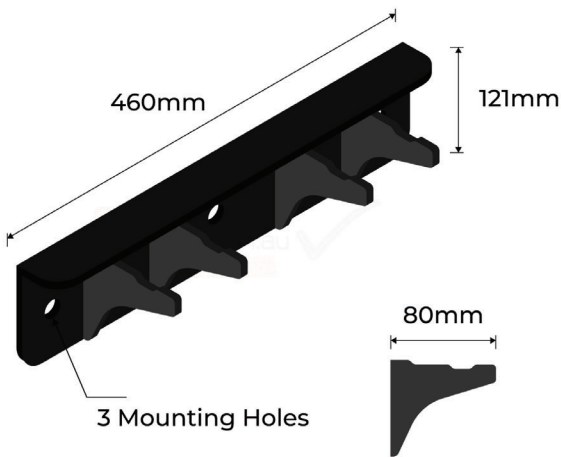


PRODUCT SPECS



BOLLARD 140MM DOUBLE HANGER

Product Code:	B140-DOUBLE-HANGER
Length:	460mm
Height:	121mm
Weight:	2kg
Plate Thickness:	5mm
Hanger Width:	80mm
Finish:	Powder coated Black
Fixing:	3 Mounting holes

- Manufactured from TM55 steel plate
- Holds 2x 140mm Bollards
- Convenient storage for bollards when not in use
- Light weight easy to install by one person

Enforcer Bollard hanger is made from a TM55 steel plate. Designed for the storage of 140mm Bollards. This hanger can be mounted to the wall.

This product is a convenient storage option for bollards that are not in use and will prevent any trip hazards from occurring.

Suitable for Work sites, Warehouses, Car Parks, to store bollards.



Strong & Durable



Australian Standards Approved



Easy Installation



enforcer
group.com.au ✓

Call us 1300 85 40 10